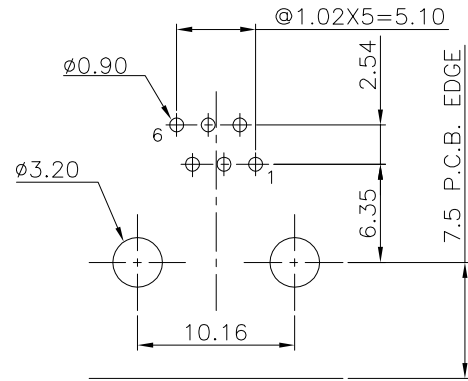
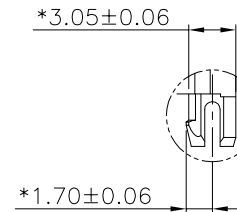
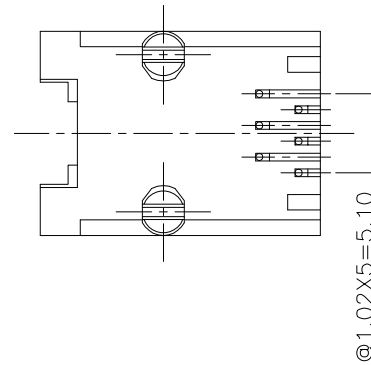
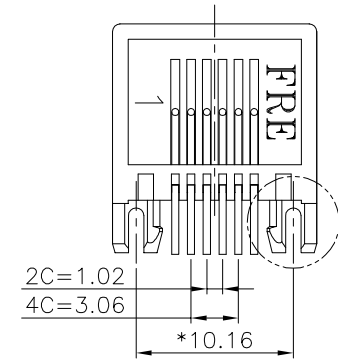
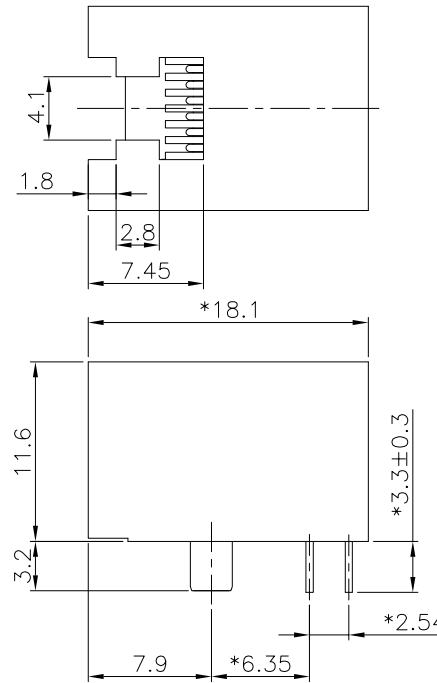
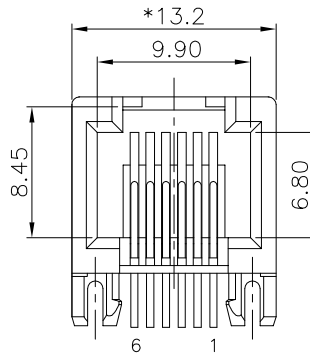


REVISION RECORD				
REV	ECO	DESCRIPTION	DRFT	CHKD



PC Board Layout t=1.60mm  
Component Side Shown



**NOTES:**

**ELECTRICAL:**

1. VOLTAGE RATING : 150 VAC RMS.
2. CURRENT RATING : 1.5 AMP.
3. CONTACT RESISTANCE : 20 MILLIOHMS MAX.
4. INSULATION RESISTANCE: 1000 MEGOHMS MIN @ 500 VDC.
5. DIELECTRIC STRENGTH : 1000 VAC RMS 60Hz, 1MIN.

**MECHANICAL:**

1. HOUSING MATERIAL : NYLON+30%G.F UL94V-0.
2. CONTACT MATERIAL : PHOSPHOR BRONZE Ø0.46mm.
3. PLATING : GOLD PLATING OVER NICKEL.
4. OPERATING LIFE : 750 CYCLES MIN.
5. PCB RETENTION PRE-SOLDER : 1 LB MIN.
6. PCB RETENTION POST-SOLDER: 10 LBS MIN.

**ENVIRONMENTAL:**

1. STORAGE : -40°C TO +85°C.
2. OPERATION: -20°C TO 85°C.
3. WAVE SOLDER TEMPERATURE: 255-265°C(5-10 SECOND)

MATES WITH MODULAR PLUG CONFORMING TO  
FCC PART 68, SUBPART F.  
CUL FILE NO. E163191

ROHS PART NUMBER: E536X-300XGX-L

2- 2C  
4- 4C  
6- 6C

1- 3u", 2- 6u", 3- 15u"  
4- 30u", 5- 50u"

MATERIAL OF HS'G :  
4-FR50 BK  
5-FR52 BK

DETACHED LISTS	← MM (INCH) →		DFTO BASS	DATE 8/28/98
	TOLERANCES EXCEPT AS NOTED		CHKD QIANPU	DATE 2005/3/17
	MM	±	MFO	DATE
	.0 ± 0.2	±	APPVLLUSHENG	DATE 2005/3/17
.00 ± 0.15	±	MATERIAL :		
.000 ± 0.075	±	ANGLES ± 0.5		
THIRD ANGLE PROJECTION		QT'Y :		
		FINISH :		
		SCALE : 3 : 1		

FULL RISE ELECTRONIC CO., LTD

TITLE			
11.5mm SIDE PCB JACK 6P			
DRAWING NO. GE533022-LA		SIZE	REV
/PART NO. SEE NOTE		A3	0
DO NOT SCALE DRAWING		SHEET 1	OF 1